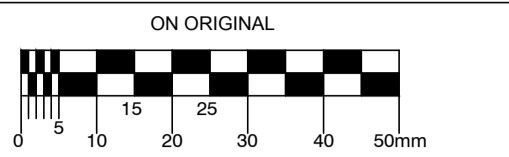
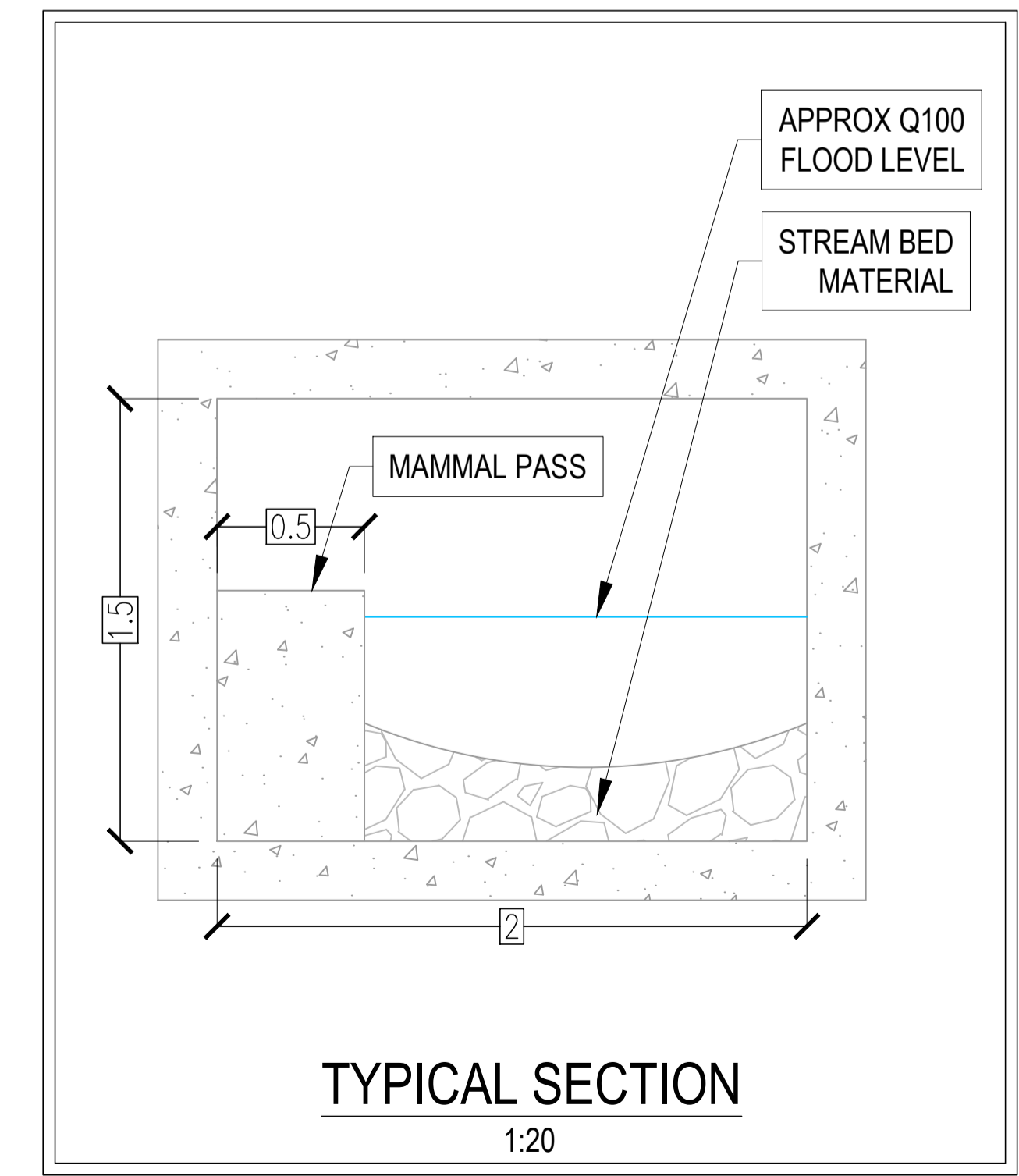
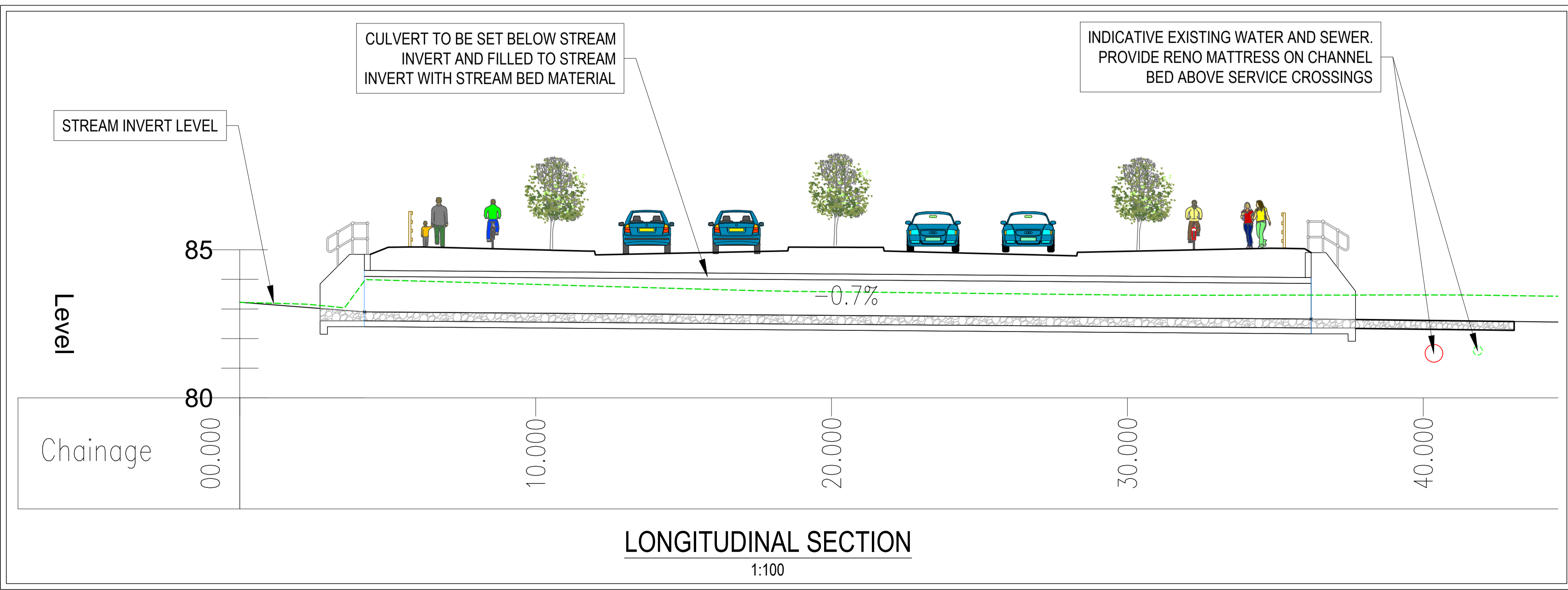
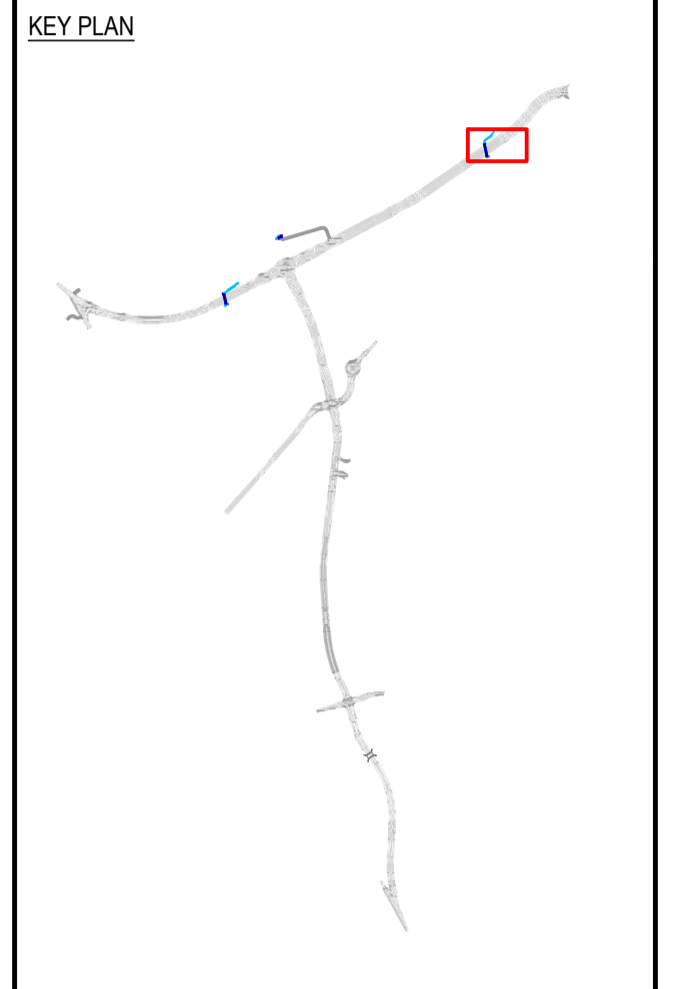


© COPYRIGHT OF THIS DRAWING IS RESERVED BY DBFL CONSULTING ENGINEERS. NO PART SHALL BE REPRODUCED OR TRANSMITTED WITHOUT THEIR WRITTEN PERMISSION.



- NOTES:
- DRAWINGS ARE PRELIMINARY DESIGNS FOR PLANNING ONLY AND ARE SUBJECT TO DETAILED DESIGN
 - ALL WATERCOURSE CROSSING WORKS SUBJECT TO OPW SECTION 50 APPROVAL AND APPROVAL BY INLAND FISHERIES IRELAND

- LEGEND
- WX00 WATERCOURSE CROSSING
 - WATERCOURSE (EPA MAPPED)
 - WATERCOURSE (LOCAL DRAINAGE)



P1	13-03-19	ISSUED FOR PLANNING	DJC	JPC
REV.	DATE	DESCRIPTION	BY	CHKD.
DRAWING SUITABILITY	S2	FOR INFORMATION		
PLANNING				
DESIGNED	JPC	PREPARED	DJC	
DATE	JAN 2019	CHECKED	BLK	
<p>DBFL Consulting Engineers</p> <p>Upper Ormond Quay, Dublin 7, Ireland. Phone: +353 1 400 4000 Fax: +353 1 400 4050</p> <p>1-20 Connaught Street, Waterford, Ireland. Phone: +353 51 309 500 Fax: +353 51 844 913</p> <p>DBFL Consulting Engineers email: info@dbfl.ie site: www.dbfl.ie</p>				

PROJECT
GLENAMUCK DISTRICT ROADS SCHEME

DRG. TITLE
FIGURE 14-4 - WATERCROSSING DETAILS - WX03



SCALE AS SHOWN @A1 FILE REF. 170172-DBFL-01-XX-DR-C-3101
AS SHOWN X2 @A3

DBFL DRG. NO. 170172-DBFL-01-XX-DR-C-3103 P1

EIA/Figure REF **FIGURE 14-4**